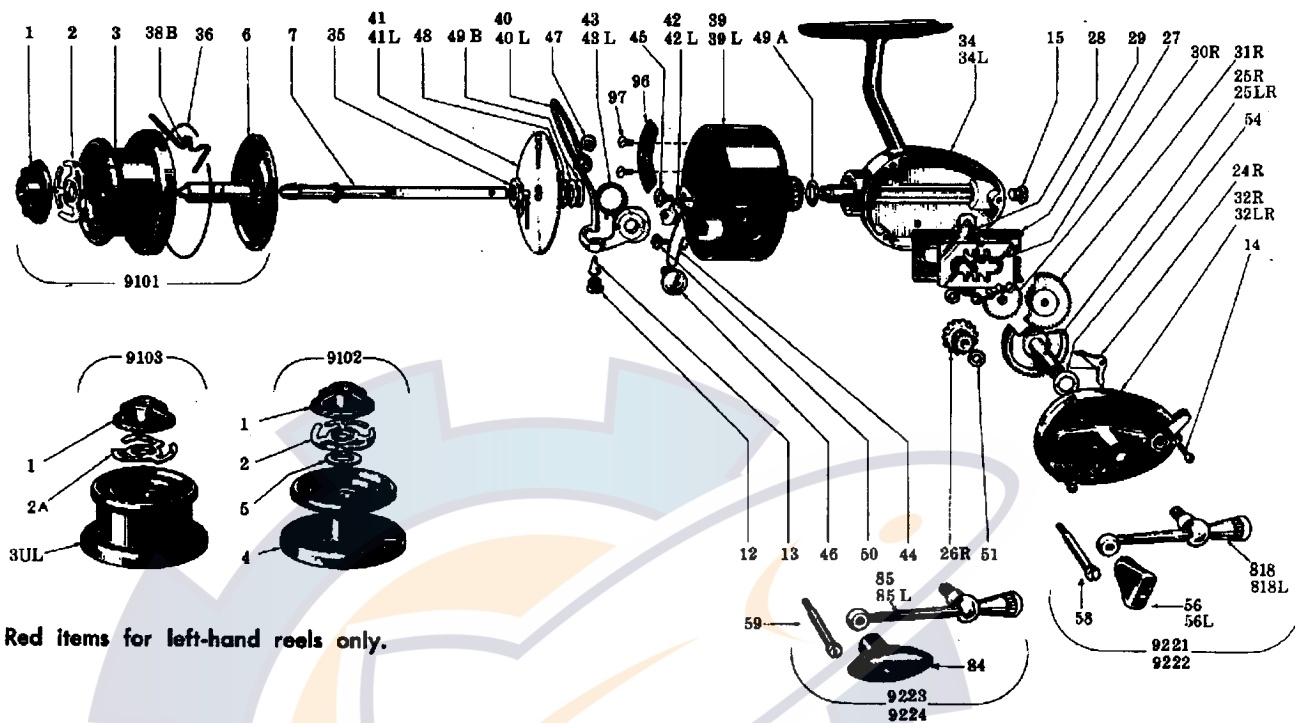


Garcia

MITCHELL 350-351



Red items for left-hand reels only.

No.	Part Name	Price	No.	Part Name	Price	No.	Part Name	Price
1	Wing nut	.15	38B	Click spring	.10	59	Knob screw for #9223 and #9224 handles	.15
2	Brake spring	.25	39	Rotating head (350)	3.00	84	Handle knob for #9223 & #9224 handles	.50
2A	Brake spring, ultra-light	.50	39L	Rotating head (351)	3.00	85	Handle shank for #9223 handle (350)	1.50
3	Spool shell, small capacity	2.00	40	Bail (350)	2.50	85L	Handle shank for #9224 handle (351)	1.50
3UL	Spool shell, ultra-small capacity	2.00	40L	Bail (351)	2.50	96	Counterweight	.25
4	Spool shell, large capacity	2.00	41	Baffle plate (350)	.50	97	Counterweight screw	.05
5	Washer (for large capacity spool only)	.05	41L	Baffle plate (351)	.50	818	Handle shank for #9221 handle (350)	1.25
6	Spindle	1.00	42	Bail trip lever (350)	.25	818L	Handle shank for #9222 handle (351)	1.25
7	Reel axle	1.00	42L	Bail trip lever (351)	.25	9101	Spool with container, complete, small capacity	4.00
12	Line guide screw	.10	43	Bail spring (350)	.10	9102	Spool with container, complete, large capacity	4.00
13	Line guide	.75	43L	Bail spring (351)	.10	9103	Spool with container, complete, ultra-small capacity	4.00
14	Cover screw	.10	44	Bail trip lever spring	.05	9221	Screw-lock handle, complete (350)	1.50
15	Lubrication cover screw	.10	45	Bail trip lever screw	.10	9222	Screw-lock handle, complete (351)	1.50
24R	Anti-reverse dog	.25	46	Bail screw #1	.15	9223	Screw-lock handle, complete, 1/4" longer than standard (Accessory for 350)	2.00
25R	Driving gear (350)	1.25	47	Bail screw #2	.15	9224	Screw-lock handle, complete, 1/4" longer than standard (Accessory for 351)	2.00
25LR	Driving gear (351)	1.25	48	Baffle plate washer	.05			
26R	Pinion	.75	49A*	Shims to adjust rotating head and housing (set of 3)	.05			
27	Slide	.50	49B*	Shims to adjust rotating head and baffle plate (set of 3)	.05			
28	Slide guide screw	.10	50	Pick-up spring screw	.10			
29	Slide guide	.25	51*	Washer to adjust pinion (set of 2)	.05			
30R	Pivot gear	.75	54*	Shims to adjust driving gear (set of 2)	.05			
31R	Transfer gear	.50	56	Knob for #9221 handle (350)	.15			
32R	Cover plate assembly (350)	2.50	56L	Knob for #9222 handle (351)	.15			
32LR	Cover plate assembly (351)	2.50	58	Knob screw for #9221 and #9222 handles	.10			
34	Housing (350)	4.00						
34L	Housing (351)	4.00						
35	Baffle plate holding nut	.05						
36	Spool line clip	.05						

*Use only the number of shims necessary for smoothest operation.